
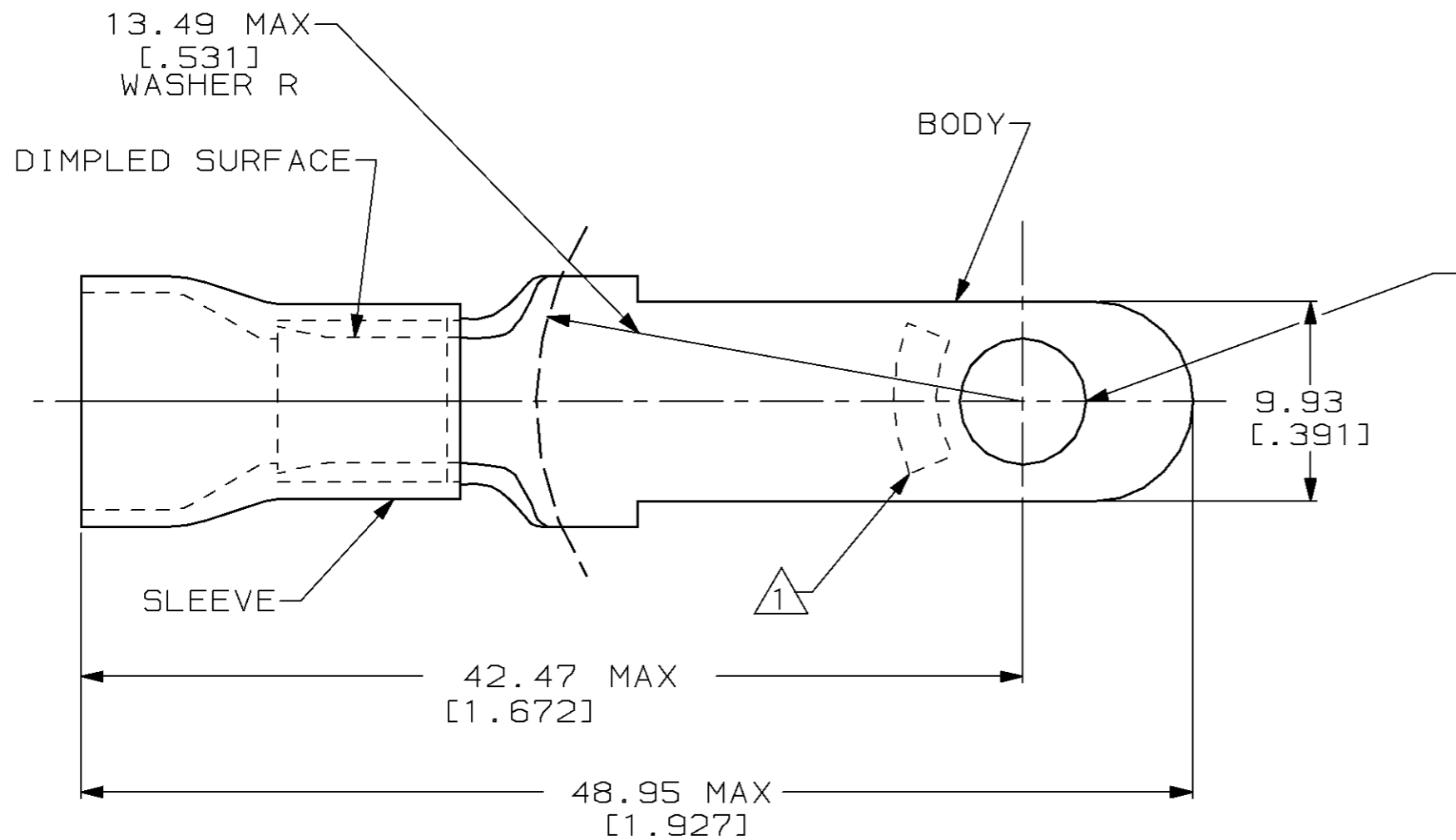


THIS DRAWING IS UNPUBLISHED. RELEASED FOR PUBLICATION, 19 .
 © COPYRIGHT 19 BY AMP INCORPORATED. ALL INTERNATIONAL RIGHTS RESERVED.

LOC	DIST	P	F	REVISIONS				
G	14			ZONE	LTR	DESCRIPTION	DATE	APPD
					E	REV / 0L20-0041-97	29MAY97	ME BB

AMP WIRE RANGE	 FILE E13288	 LR7189 Certified
4 AWG STRANDED	4 AWG STRANDED	4 AWG STRANDED



- NOTE:
1. STAMP AMP 4* LOCATE APPROX AS SHOWN
 2. TONGUE MATERIAL THK 1.22±0.08 [.048±.003]
 3. WIRE INSULATION DIA 11.43 [.450] MAX
 4. TAPE ITEMS ARE ON 30.48 [1.200] CENTERS

AMP INCORPORATED CUSTOMER SERVICE SYSTEMS		MAX RECOMMENDED OPERATING TEMPERATURE: 90°C	500	ON TAPE	55680-2
FOR ADDITIONAL PRODUCT INFORMATION OR COPIES OF DRAWINGS AND TECHNICAL DOCUMENTS	PRODUCT INFORMATION CENTER 1-800-522-6752	VOLTAGE RATING: 600 V MAX	QTY	PACKAGE TYPE	PART NO
FOR APPLICATION TOOLING INFORMATION	TOOLING ASSISTANCE CENTER 1-800-722-1111	CIRCULAR MIL AREA: 16.77-26.65mm² [33, 100-52, 600] STRANDED	AMP AMP Incorporated Harrisburg, PA 17105-3608 NAME TERMINAL, RING TONGUE, PLASTI-GRIP™, WIRE SIZE, 4 AWG		
FOR ORDER ENTRY	1-800-526-5142	FINISH TIN PLATE PER MIL-T-10727	SIZE B	CAGE CODE 00779	DRAWING NO C-55680
THIS DRAWING IS A CONTROLLED DOCUMENT FOR AMP INCORPORATED. IT IS SUBJECT TO CHANGE AND THE CONTROLLING ENGINEERING ORGANIZATION SHOULD BE CONTACTED FOR THE LATEST REVISION.		DO NOT SCALE PRINT. UNLESS SPECIFIED DIMENSIONS IN mm [INCHES] TOLERANCES ON: 2 PLC DEC ± 0.20 [.008] 3 PLC DEC ± - ANGLES ± -	SCALE NTS	APPLICATION SPEC NOT AVAILABLE	SHEET 1 OF 1
		MATERIAL COPPER PER ASTM B-152 PVC, COLOR, YELLOW	WEIGHT -		
		DR 10-12-93 S.S. GOULDEN CHK 10-12-93 R. HERSEY APPD 10-12-93 B. BARE APPD 10-12-93 M. ELLIS PRODUCT SPEC NOT AVAILABLE			